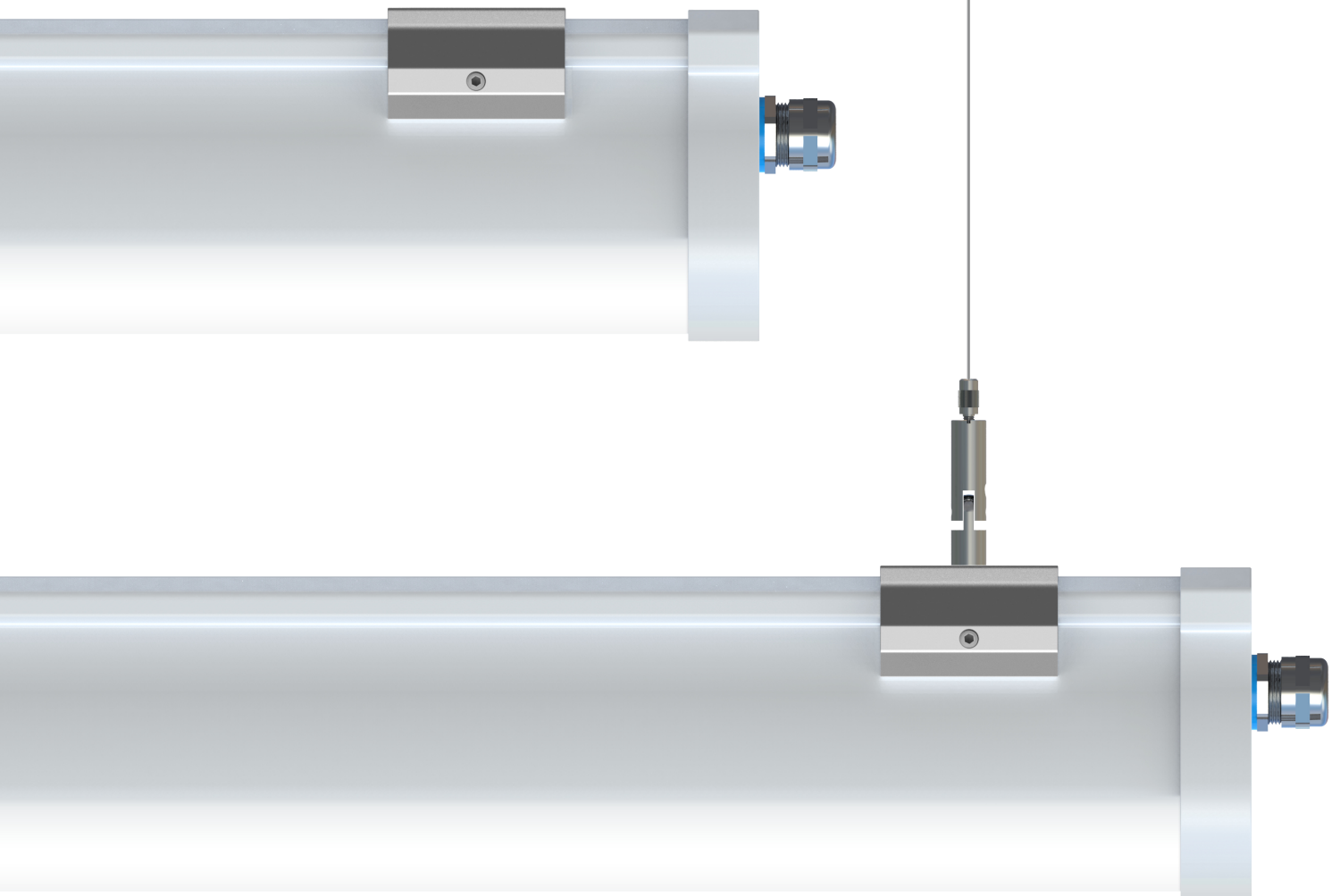


ISOLLUX
LED LTD

ngl 
next generation led

Lighting Solutions

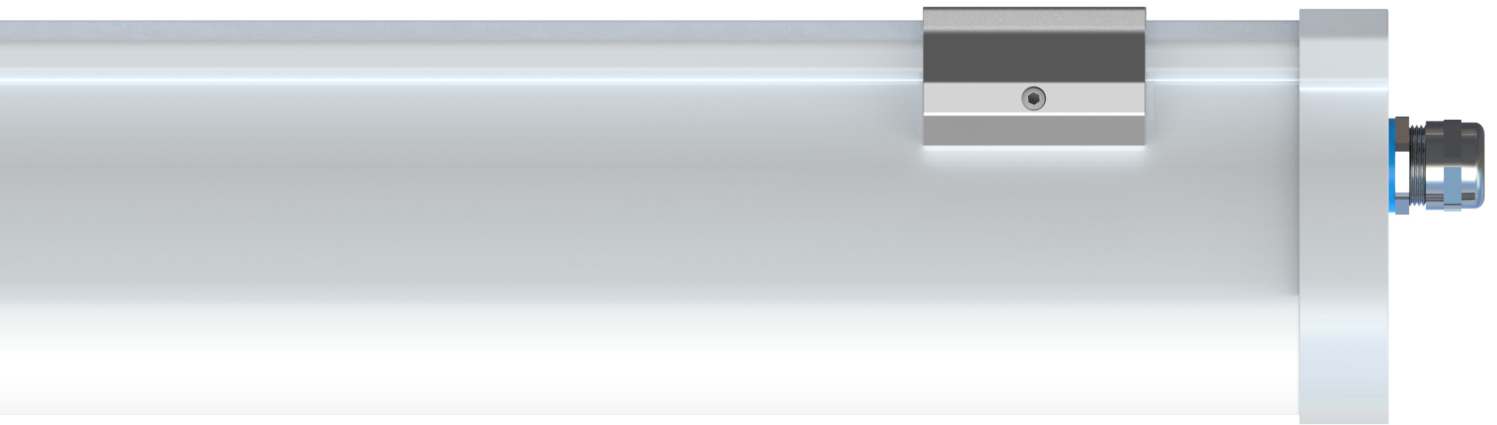


Specifier Series | Proline Linear Low Bay



Proline is the result of ten years research into materials science, mechanical engineering, electronics and thermal management.





TPX



A high chemical and impact resistant, food-safe & UV stable, fully serviceable enclosure built to withstand pressure washing.

Proline TPX was developed specifically for increased resistance to sanitisers including alcohols, peroxides, aldehydes, quaternary compounds, alkylamines and chlorine releasing compounds. The product is fully enclosed and protected by a high performance polyester alloy sheath and end caps offering superior resistance to:

- Acetic Acid
- Ethoxylated Alcohols
- Amines
- Benzalkonium Chloride
- Benzyl AlkyldimethylChlorides
- Disodium Metasilicate
- Dodecyldimethylamine oxide
- Ethanol
- Hydrogen Peroxide
- Hypochlorus Acid
- Peroxyacetic Acid
- Potassium Hydroxide
- Quaternary Ammonium Compound
- Secondary Alkanesulphonates
- Sodium Carbonate
- Sodium Dodecylbenzene Sulfonate
- Sodium Hydroxide
- Sodium Hypochlorite

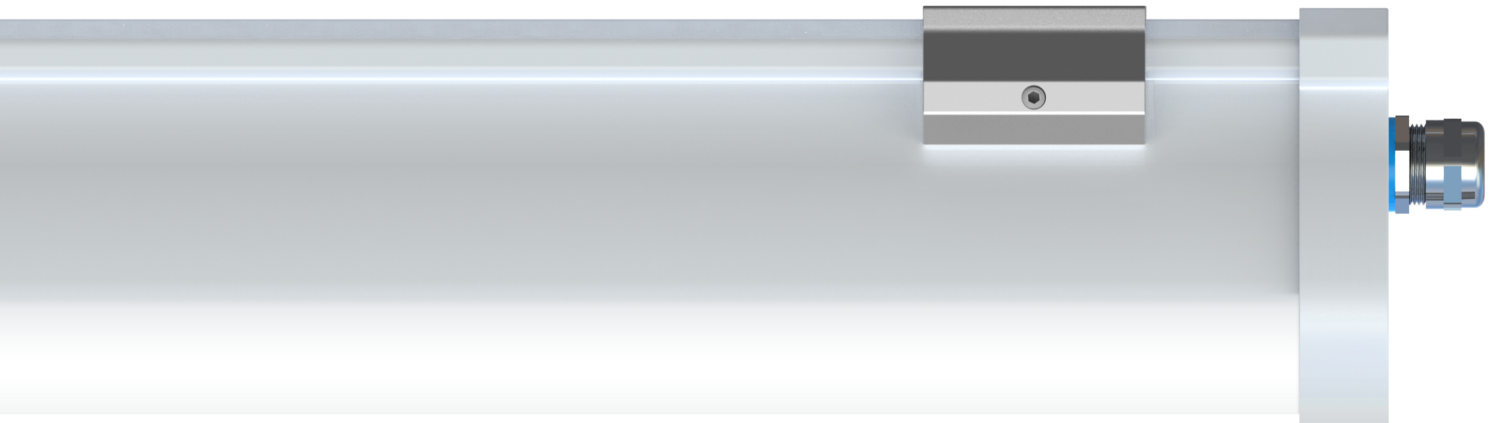
Luminaire Performance Up To:

21,000lm ~ 140 lm/W*

Ambient Temperature Range:

-30°C / +50°C*





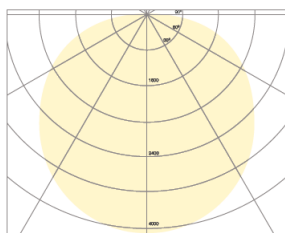
PCX



IP66 Polycarbonate, impact resistant, food-safe, fully serviceable V-0 fire rated enclosure.

Manufactured from tough, durable impact resistant Polycarbonate, the PCX provides an economical option, where the extreme chemical resistance capabilities of TPX are not required. It is suitable for most general applications such as freezers, food preparation areas, parking facilities and general under veranda applications.

PCX can also be supplied with our formidable range of ZigBee wireless sensors, to deliver sophisticated wireless lighting control to individual or linked units. With the power to provide ample light in warehouses and workshops.



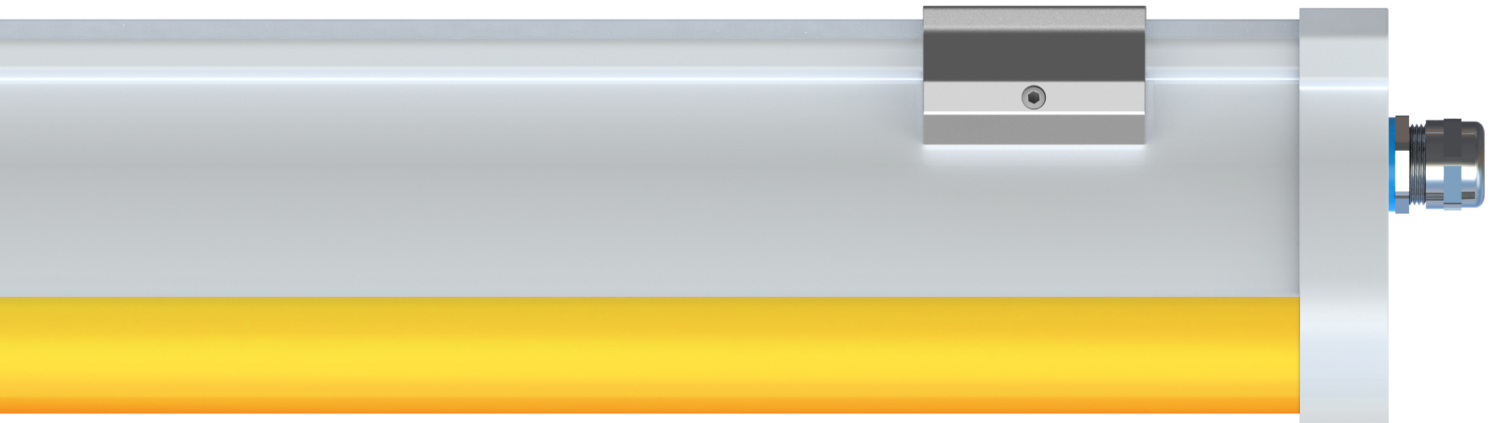
Luminaire Performance Up To:

21,000lm ~ 140 lm/W*

Ambient Temperature Range:

-30°C / +50°C*





Ambrite™

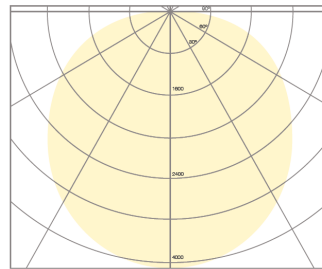
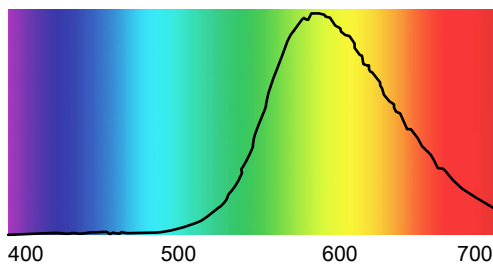


Elimination of blue spectrum ($\leq 500\text{nm}$)

Ambrite™ is a new LED chipset from Isollux that effectively eliminates blue spectrum below 500nm. Ambrite™ chipsets deliver up to 129lm/W. Outperforming products that rely on filters or optics to control blue peak emissions.

Ambrite is perfect for Photosensitive manufacturing, pharmaceuticals, brewing and exterior applications where insects present a significant commercial risk, such as loading bays.

To order, select the Proline protection grade required (TPX/PCX) and specify AMB in place of Ra/CCT



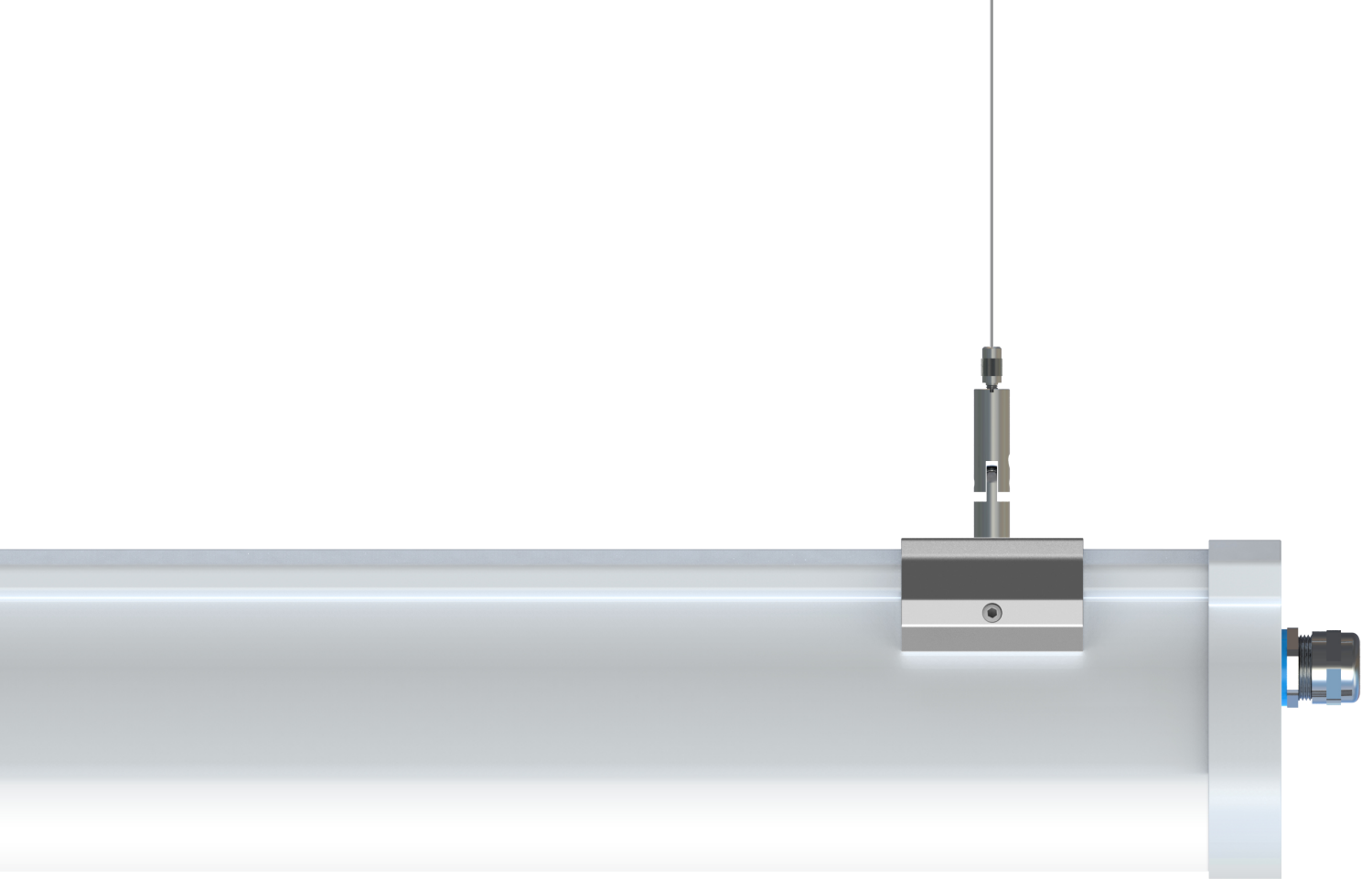
Luminaire Performance Up To:

19,350lm ~ 129 lm/W*

Ambient Temperature Range:

-30°C / +50°C*



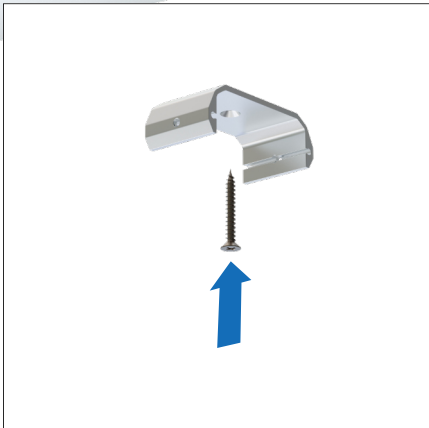


Simple and secure; surface mount with optional suspension kit

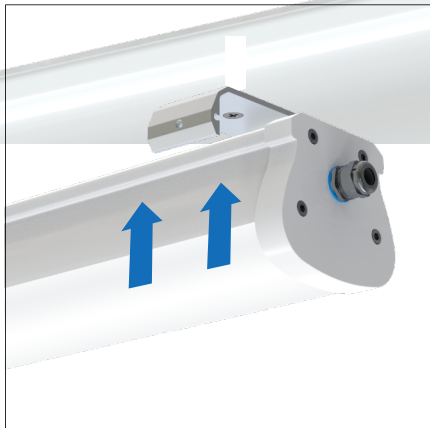
Proline features a unique bracket design, which provides a seismic secure, quick release connection between virtually any horizontal or vertical surface, allows direct mount options to machinery, ceilings and walls using the patented “key and clamp” mechanism.

The optional stainless steel suspension kit*, fixes directly to the bracket in seconds. To provide a sliding grip with easy and intuitive height adjustment.

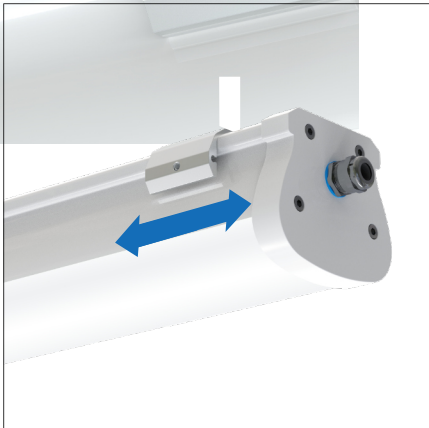
Flush or surface mount



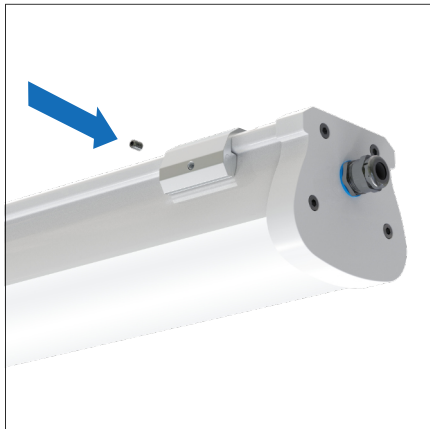
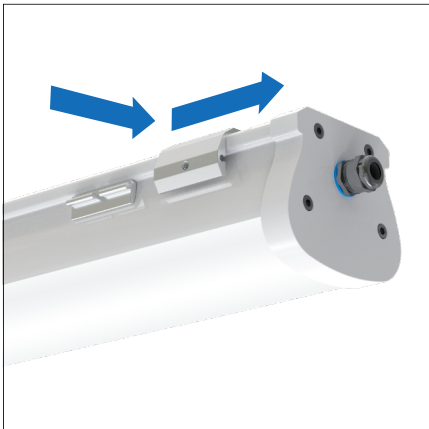
FIX BRACKET TO SURFACE.



PLACE PROLINE INTO BRACKET.



SLIDE TO ADJUST.



TIP TO START AND SLIDE WEDGE TO SECURBRIGHTEN NYLOC GRUB SCREW TO LOCK. SEISMIC SAFE WITH QUICK RELEASE.

Five Lengths, 12 Power Options.

With two options of chipset, five lengths and 12 power options, we are confident that you will find the model, performance and output you need to deliver a perfect and lasting lighting outcome.

2000mm

150W | HE 21,000lm

120W | HE 16,800lm

100W | HE 14,000lm

1500mm

100W | HE 14,000lm

80W | HE 11,200lm

60W | HE 8,400lm

1200mm

80W | HE 11,200lm

60W | HE 8,400lm

40W | HE 5,600lm

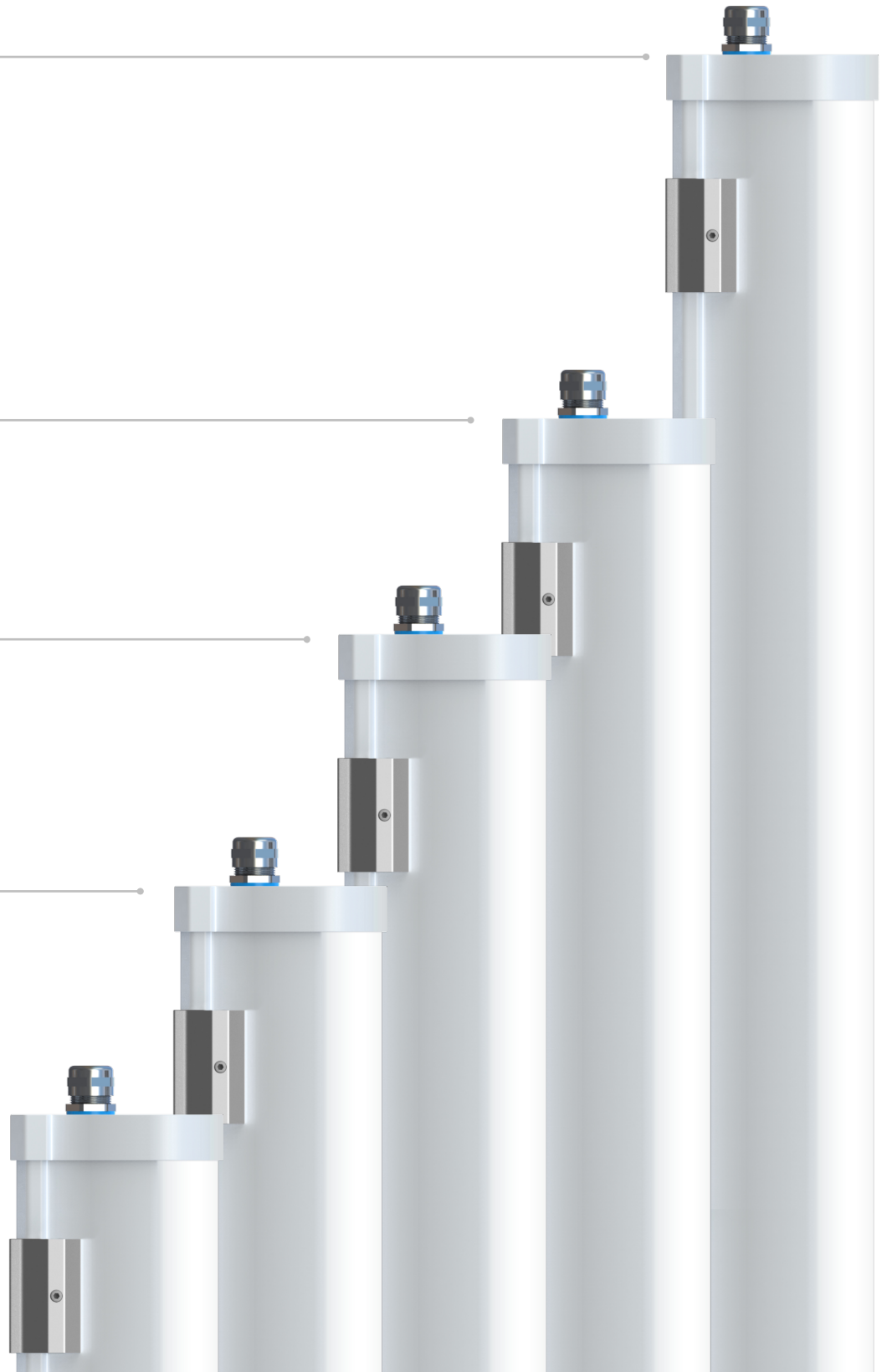
900mm

60W | HE 8,400lm

40W | HE 5,600lm

600mm

40W | HE 5,600lm



* Nominal output Luminaire after losses based on CCT 5,000K, Ra85, R9≥10. specified with HE Chipset (lux) Ta 25°C, Ra95 multiplier 0.92

Solid construction in food and surgical grade materials

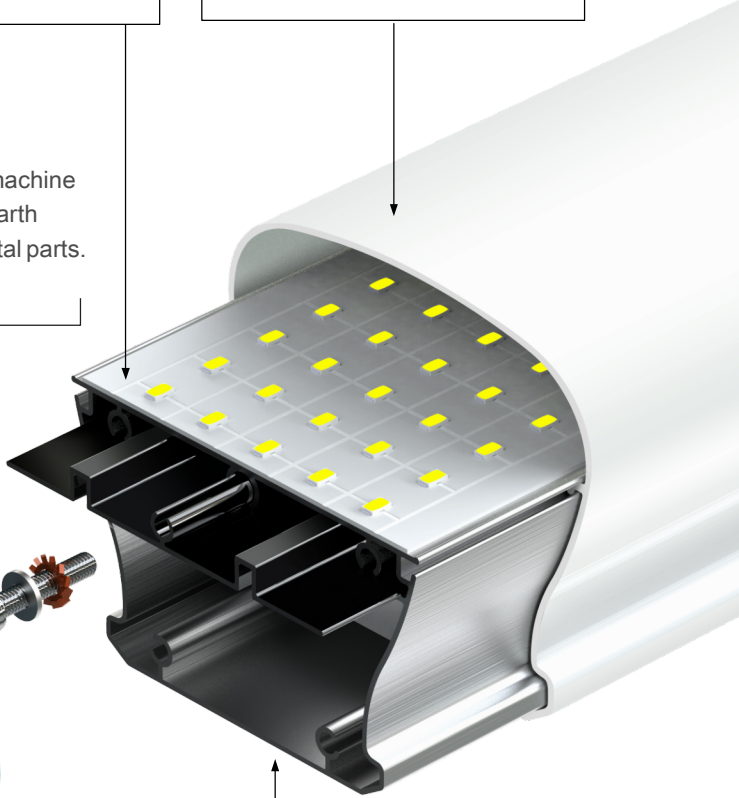
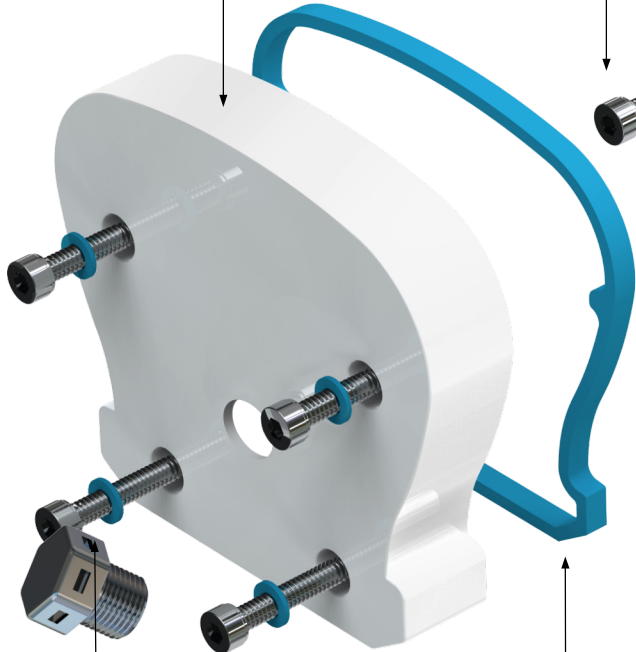
PCB and LED array is dipped and cured with a chemical and moisture proof coating after reflux soldering.

Select UT or HE LED chipsets both optimised for performance and lumen maintenance.

Food grade IK10 impact resistant lens sheath. Available from IP66 to IP69K. Material capabilities differ between TPX and PCX.

IK10 impact resistant re-enforced end caps provide firm anchor and base for seal. Material capabilities differ between TPX and PCX.

Earth tag and SS M6 machine head screw provides earth continuity across all metal parts.



M6 SS self tapping machine head screw, sealed to face with blue EPDM O'ring.

Food grade, EPDM chemical resistant gasket effectively seals the Proline up to IP69K.

6063 Aluminum heatsink, efficiently transfers thermal load through the outer case, whilst providing Proline with a rigid and strong inner core.

SS IP69K breather valve balances pressure and eliminates condensation.



Maintain and save.

Proline makes sense, financially, ecologically and practically. Its designed for scheduled maintenance, allowing each component to be replaced for scheduled maintenance or accidental damage.

Proline - Maintenance Kits

Outer Sheath	Average installation to maintenance cycles*
End Caps and Seals	35,000 - 70,000 Hrs
Driver Tray and connections	35,000 - 70,000 Hrs
LED Array (Not Shown)	50,000 - 100,000 Hrs
	200,000 Hrs L70 (HE Chipset)

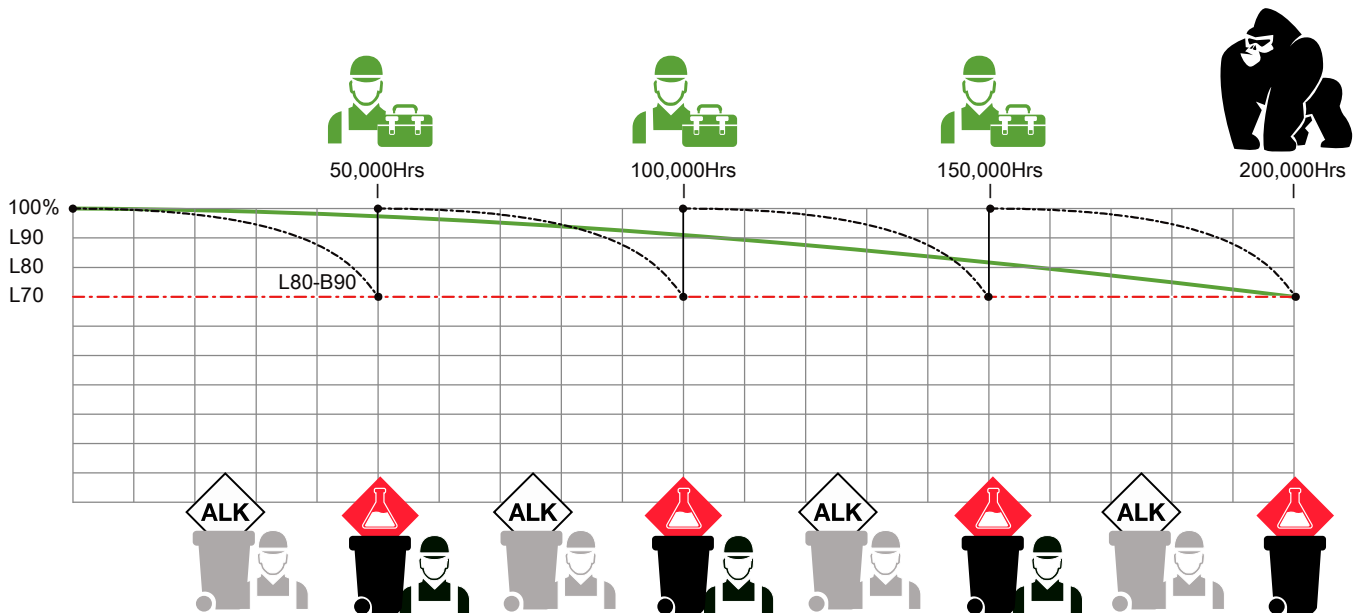


* MAINTENANCE CYCLES ARE DEPENDENT ON AMBIENT TEMPERATURES, FREQUENCY OF WASH CYCLES, APPLICATION METHOD, DURATION AND CONCENTRATION OF CHEMICALS USED FOR SANITATION AND WASH DOWN AND THE HOURS OF OPERATION AND SWITCHING OF THE LUMINAIRE.

The sustainable approach

Isollux HE dualchip technology increases LED lifetime up to 200,000 Hrs, with maintenance kits to extend the practical life of the luminaire. Simple, efficient and financially beneficial.

- § Reduces total cost of ownership maximising ROI and NPV
- § Reduces land fill, manufacturing and supply related carbon footprint by up to 640%
- § Delivers a longer practical performance life (L90 >100,000 Hrs* - L70 > 200,000 Hrs)
- § Supports planned and unscheduled maintenance to the maximum life of the fitting
- § Minimizes downtime with easily maintained and replaceable parts
- § Ensures continuity of fixtures on site
- § Components easily dismantled at end of life for recycling



* HE Chipset L90 Lifetime calculated using 9,000hr independent LM80 photometry report, citing zero failures, using the Energy Star TM-21 protocol. Calculations are based on ambient temperatures of 25°C. Assumes driver replacement as routine maintenance event with driver replacement schedules subject to, power quality, frequency of switching cycles and average to peak ambient operating temperatures. Assumes driver replacement at midpoint of lifecycle, with the calculated MTFB 192.2K hrs min. MIL-HDBK-217F (25°C) based on the 100W 1500mm TPA/TPH. Average driver life 62,000Hrs.

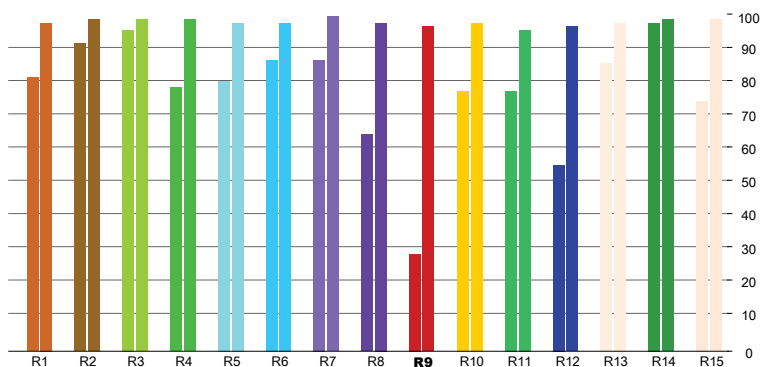


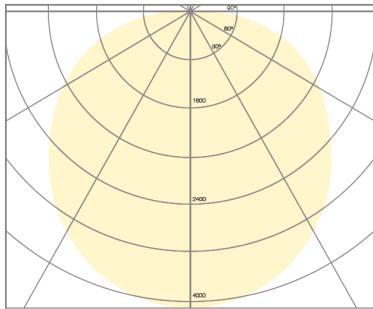
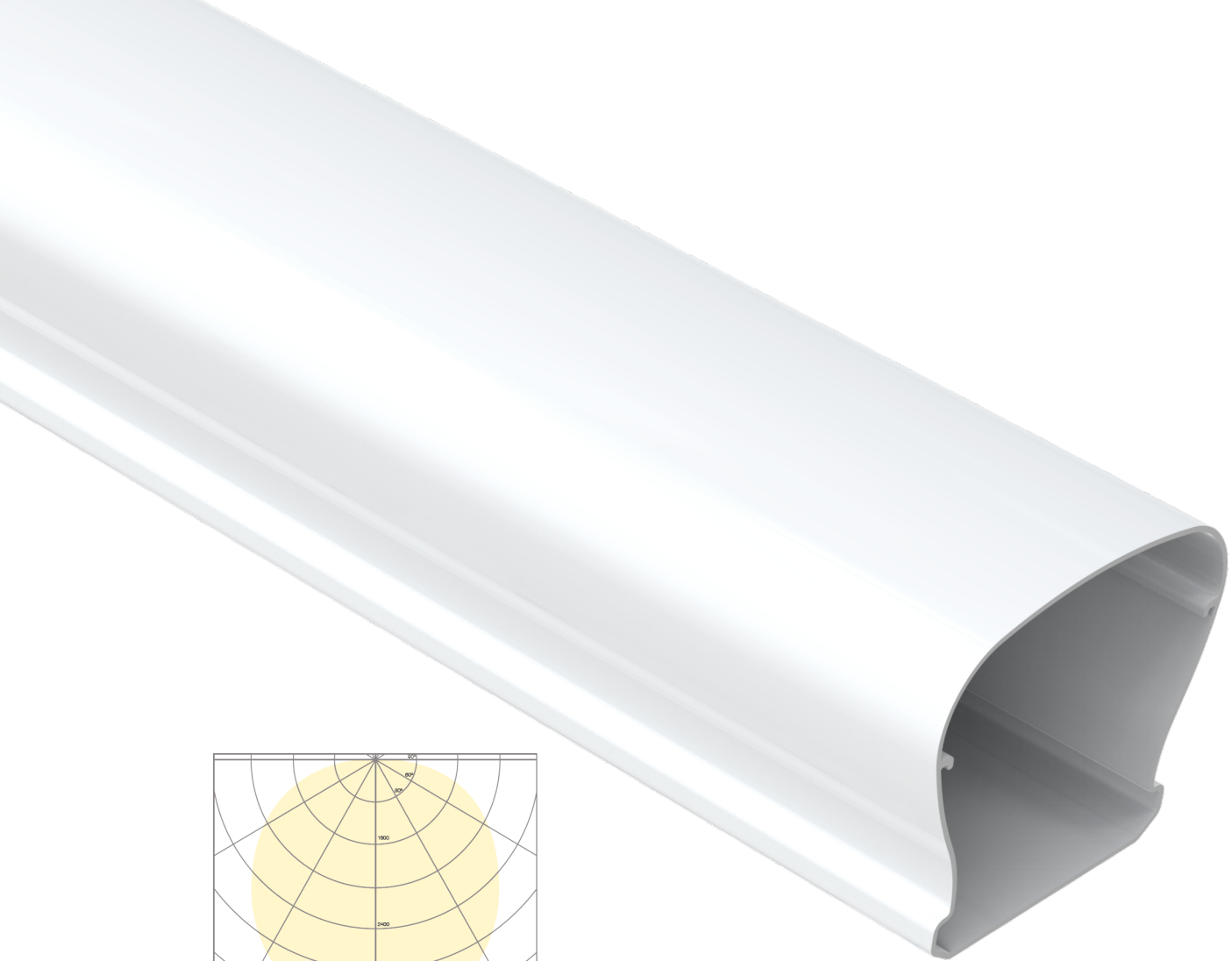
Imagine how much better she looked in colour!

Ra85 and Ra95 as standard across all models.

Everything looks better in colour and our standard range of Ra85 Chipsets will not disappoint, delivering retail grade performance with $R9 \geq 20$ across all standard colours from 2,700k-6,000k.

Upgrade to Ra95 and experience the ultimate in colour rendering to satisfy the most exacting quality controller.

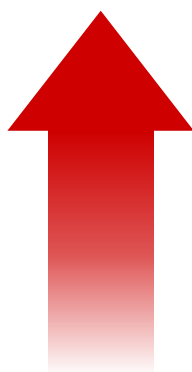




Diffuse light output

The lens-sheath provides two important functions. Encapsulating and protecting the electronic components, whilst eliminating glare and spotting.

- § Eliminates dangerous reflections and glare
- § Minimises shadows around complex machinery and aerial clutter
- § Reduces work place accidents compared to clear lens LED products
- § Improves visual acuity for quality control and sanitation



INFRA RED UPLINK

Wired or wireless controls to optimise service life and efficiency

The Proline series supports both wired and wireless control options to minimise running costs associated with warehouse or storage areas. From simple set ups with multiple units hard wired and switched via occupancy sensors to fully optimised wireless controls



Reliable mesh network without internet connection

The optional OS-NET ZigBee control system delivers unparalleled control of luminaire without the need for complex programming or data management. Simply program via a point and push infra-red remote to select individual lights or program entire groups instantly.

Update or change groups at any time, add multiple luminaire to groups or single luminaire to multiple groups.

No ongoing fees, no wireless updates, no complex programming or mapping required. Simple stand alone efficient lighting controls to maximise your energy savings.



OSiNET

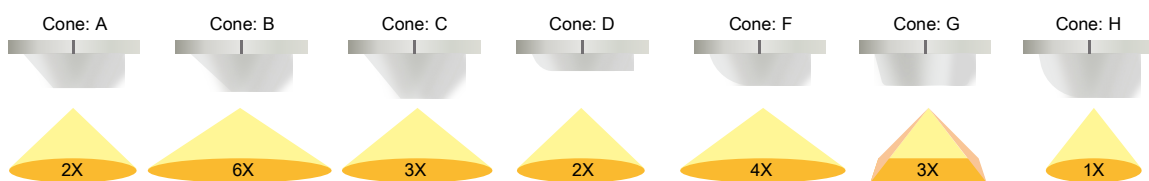
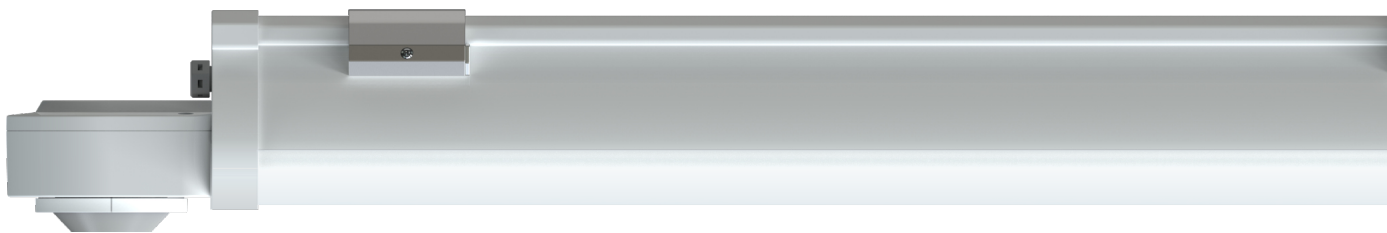
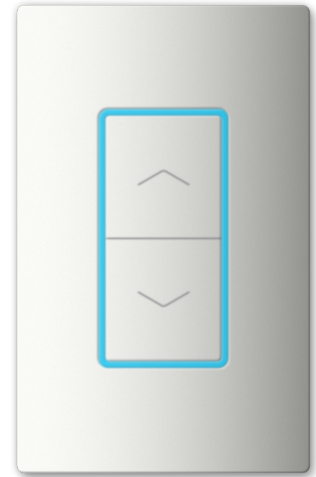
Wireless wall switches provide practical over-ride.

Your facility may only require low lux levels for most of the day with casual traffic, and none when empty. Occasionally however you need maximum power for a short burst of activity. The OS-NET wireless wallswitch provides a simple over-ride command to raise lux levels instantly for a time you choose.

Easy to install, no direct connection to the luminaire circuit required. It provides an invaluable link between one or more luminaire and the operator on the ground.

Multiple lenses optimize detection.

All sensors supplied with the Proline series feature hot swappable lenses to fine tune and target detection exactly. The lens system offers a range of options to a maximum height of 14m.



Applications



Dairy Production & Storage



Meat & Poultry



Pharmaceuticals



Food Packaging & Printing



Cool stores & Distribution



Medical & Pathology



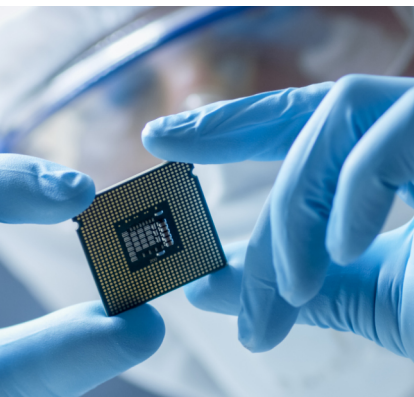
Bottling & Labelling



Bakeries & sweets



Fresh Produce



High-Tech Manufacturing



Aqua Culture Smolt & Production



IndustriaChemicals

Proline TPX-HE Chipset Product Codes

L90-100,000Hrs
140lm/W



PRODUCT	PERFORMANCE			AMBIENT		DRIVER	INRUSH	MAX PSU 16A	WARRANTY
Model Number	Output	Power	Efficiency	Min	Max	Function	Amps	Type C Breaker	24/7 @ max (Ta)
600mm									
TPX-0600-HE-XYX-40W-ZZ	5,600lm	40W	140lm/W	-30°C	40°C	See Below	50A	20 @ 230 Vac	5 YRS
900mm									
TPX-0900-HE-XYX-40W-ZZ	5,600lm	40W	140lm/W	-30°C	40°C	See Below	55A	16 @ 230 Vac	5 YRS
PCX-0900-HE-XYX-60W-ZZ	8,400lm	60W	140lm/W	-30°C	40°C	See Below	55A	16 @ 230 Vac	5 YRS
1200mm									
TPX-1200-HE-XYX-40W-ZZ	5,600lm	40W	140lm/W	-30°C	40°C	See Below	50A	20 @ 230 Vac	5 YRS
TPX-1200-HE-XYX-60W-ZZ	8,400lm	60W	140lm/W	-30°C	40°C	See Below	55A	16 @ 230 Vac	5 YRS
TPX-1200-HE-XYX-80W-ZZ	11,200lm	80W	140lm/W	-30°C	40°C	See Below	60A	8 @ 230 Vac	5 YRS
1500mm									
TPX-1500-HE-XYX-60W-ZZ	8,400lm	60W	140lm/W	-30°C	50°C	See Below	55A	16 @ 230 Vac	5 YRS
TPX-1500-HE-XYX-80W-ZZ	11,200lm	80W	140lm/W	-30°C	50°C	See Below	60A	8 @ 230 Vac	5 YRS
TPX-1500-HE-XYX-100W-ZZ	14,000lm	100W	140lm/W	-30°C	40°C	See Below	60A	8 @ 230 Vac	5 YRS
2000mm									
TPX-2000-HE-XYX-100W-ZZ	14,000lm	100W	140lm/W	-30°C	40°C	See Below	65A	6 @ 230 Vac	5 YRS
TPX-2000-HE-XYX-120W-ZZ	16,800lm	120W	140lm/W	-30°C	40°C	See Below	65A	6 @ 230 Vac	5 YRS
TPX-2000-HE-XYX-150W-ZZ	21,000lm	150W	140lm/W	-30°C	35°C	See Below	65A	6 @ 230 Vac	5 YRS

(X) Correlated Colour Temperature options include 4000°K (4) | 5000°K (5) | 6000°K (6)
 (YY) Ra (CRI) Options include Ra85 , Ra95. Example: 5,000k Ra85, XYX = 585
 (ZZ) Driver Function: ND Non dimming (Vo to reduce output) |DM 1-10V Dimming |DA DALI
Ambrite™ can be specified by replacing the (XYX) options with: AMB
 *Additional Hanging Suspension Kit is available

Proline TPX-UT Chipset Product Codes

L70-65,000Hrs
120lm/W



PRODUCT	PERFORMANCE			AMBIENT		DRIVER	INRUSH	MAX PSU 16A	WARRANTY
Model Number	Output	Power	Efficiency	Min	Max	Function	Amps	Type C Breaker	24/7 @ max (Ta)
600mm									
TPX-0600-UT-XYX-40W-ZZ	4,800lm	40W	120lm/W	-30°C	40°C	See Below	50A	20 @ 230 Vac	5 YRS
900mm									
TPX-0900-UT-XYX-40W-ZZ	4,800lm	40W	120lm/W	-30°C	40°C	See Below	55A	16 @ 230 Vac	5 YRS
TPX-0900-UT-XYX-60W-ZZ	7,200lm	60W	120lm/W	-30°C	40°C	See Below	55A	16 @ 230 Vac	5 YRS
1200mm									
TPX-1200-UT-XYX-40W-ZZ	4,800lm	40W	120lm/W	-30°C	40°C	See Below	50A	20 @ 230 Vac	5 YRS
TPX-1200-UT-XYX-60W-ZZ	7,200lm	60W	120lm/W	-30°C	40°C	See Below	55A	16 @ 230 Vac	5 YRS
TPX-1200-UT-XYX-80W-ZZ	9,600lm	80W	120lm/W	-30°C	40°C	See Below	60A	8 @ 230 Vac	5 YRS
1500mm									
TPX-1500-UT-XYX-60W-ZZ	8,400lm	60W	120lm/W	-30°C	40°C	See Below	55A	16 @ 230 Vac	5 YRS
TPX-1500-UT-XYX-80W-ZZ	9,600lm	80W	120lm/W	-30°C	40°C	See Below	60A	8 @ 230 Vac	5 YRS
TPX-1500-UT-XYX-100W-ZZ	12,000lm	100W	120lm/W	-30°C	40°C	See Below	60A	8 @ 230 Vac	5 YRS
2000mm									
TPX-2000-UT-XYX-100W-ZZ	12,000lm	100W	120lm/W	-30°C	40°C	See Below	65A	6 @ 230 Vac	5 YRS
TPX-2000-UT-XYX-120W-ZZ	14,400lm	120W	120lm/W	-30°C	40°C	See Below	65A	6 @ 230 Vac	5 YRS
TPX-2000-UT-XYX-150W-ZZ	18,000lm	150W	120lm/W	-30°C	35°C	See Below	65A	6 @ 230 Vac	5 YRS

(X) Correlated Colour Temperature options include: 4000°K(4) | 5000°K(5) | 6000°K (6)
 (YY) Ra (CRI) Options include Ra85 , Ra95. Example: 5,000k Ra85, XYX = 585
 (ZZ) Driver Function: ND Non dimming (Vo to reduce output) |DM 1-10V Dimming |DA DALI

Ambrite™ can be specified by replacing the (XYX) options with: AMB

*Additional Hanging Suspension Kit is available

Proline PCX-HE Chipset Product Codes

L90-100,000Hrs

140lm/W



PRODUCT	PERFORMANCE			AMBIENT		DRIVER	INRUSH	MAX PSU 16A	WARRANTY
Model Number	Output	Power	Efficiency	Min	Max	Function	Amps	Type C Breaker	24/7 @ max (Ta)
600mm									
PCX-0600-HE-XYX-40W-ZZ	5,600lm	40W	140lm/W	-30°C	40°C	See Below	50A	20 @ 230 Vac	5 YRS
900mm									
PCX-0900-HE-XYX-40W-ZZ	5,600lm	40W	140lm/W	-30°C	40°C	See Below	55A	16 @ 230 Vac	5 YRS
PCX-0900-HE-XYX-60W-ZZ	8,400lm	60W	140lm/W	-30°C	40°C	See Below	55A	16 @ 230 Vac	5 YRS
1200mm									
PCX-1200-HE-XYX-40W-ZZ	5,600lm	40W	140lm/W	-30°C	40°C	See Below	50A	20 @ 230 Vac	5 YRS
PCX-1200-HE-XYX-60W-ZZ	8,400lm	60W	140lm/W	-30°C	40°C	See Below	55A	16 @ 230 Vac	5 YRS
PCX-1200-HE-XYX-80W-ZZ	11,200lm	80W	140lm/W	-30°C	40°C	See Below	60A	8 @ 230 Vac	5 YRS
1500mm									
PCX-1500-HE-XYX-60W-ZZ	8,400lm	60W	140lm/W	-30°C	50°C	See Below	55A	16 @ 230 Vac	5 YRS
PCX-1500-HE-XYX-80W-ZZ	11,200lm	80W	140lm/W	-30°C	50°C	See Below	60A	8 @ 230 Vac	5 YRS
PCX-1500-HE-XYX-100W-ZZ	14,000lm	100W	140lm/W	-30°C	40°C	See Below	60A	8 @ 230 Vac	5 YRS
2000mm									
PCX-2000-HE-XYX-100W-ZZ	14,000lm	100W	140lm/W	-30°C	40°C	See Below	65A	6 @ 230 Vac	5 YRS
PCX-2000-HE-XYX-120W-ZZ	16,800lm	120W	140lm/W	-30°C	40°C	See Below	65A	6 @ 230 Vac	5 YRS
PCX-2000-HE-XYX-150W-ZZ	21,000lm	150W	140lm/W	-30°C	35°C	See Below	65A	6 @ 230 Vac	5 YRS

(X) Correlated Colour Temperature options include: 4000°K (4) | 5000°K (5) | 6000°K (6)

(YY) Ra (CRI) Options include Ra85 , Ra95. Example: 5,000k Ra85, XYX = 585

(ZZ) Driver Function: ND Non dimming (Vo to reduce output) |DM 1-10V Dimming |ZB 1-10V Dimming (Excludes sensor) |DA DALI

Ambrite™ can be specified by replacing the (XYX) options with: AMB

*Additional Hanging Suspension Kit is available

Proline PCX-UT Chipset Product Codes

L70-65,000Hrs
120lm/W



PRODUCT	PERFORMANCE			AMBIENT		DRIVER	INRUSH	MAX PSU 16A	WARRANTY
Model Number	Output	Power	Efficiency	Min	Max	Function	Amps	Type C Breaker	24/7 @ max (Ta)
600mm									
PCX-0600-UT-XYX-40W-ZZ	4,800lm	40W	120lm/W	-30°C	40°C	See Below	50A	20 @ 230 Vac	5 YRS
900mm									
PCX-0900-UT-XYX-40W-ZZ	4,800lm	40W	120lm/W	-30°C	40°C	See Below	55A	16 @ 230 Vac	5 YRS
PCX-0900-UT-XYX-60W-ZZ	7,200lm	60W	120lm/W	-30°C	40°C	See Below	55A	16 @ 230 Vac	5 YRS
1200mm									
PCX-1200-UT-XYX-40W-ZZ	4,800lm	40W	120lm/W	-30°C	40°C	See Below	50A	20 @ 230 Vac	5 YRS
PCX-1200-UT-XYX-60W-ZZ	7,200lm	60W	120lm/W	-30°C	40°C	See Below	55A	16 @ 230 Vac	5 YRS
PCX-1200-UT-XYX-80W-ZZ	9,600lm	80W	120lm/W	-30°C	40°C	See Below	60A	8 @ 230 Vac	5 YRS
1500mm									
PCX-1500-UT-XYX-60W-ZZ	8,400lm	60W	120lm/W	-30°C	40°C	See Below	55A	16 @ 230 Vac	5 YRS
PCX-1500-UT-XYX-80W-ZZ	9,600lm	80W	120lm/W	-30°C	40°C	See Below	60A	8 @ 230 Vac	5 YRS
PCX-1500-UT-XYX-100W-ZZ	12,000lm	100W	120lm/W	-30°C	40°C	See Below	60A	8 @ 230 Vac	5 YRS
2000mm									
PCX-2000-UT-XYX-100W-ZZ	12,000lm	100W	120lm/W	-30°C	40°C	See Below	65A	6 @ 230 Vac	5 YRS
PCX-2000-UT-XYX-120W-ZZ	14,400lm	120W	120lm/W	-30°C	40°C	See Below	65A	6 @ 230 Vac	5 YRS
PCX-2000-UT-XYX-150W-ZZ	18,000lm	150W	120lm/W	-30°C	35°C	See Below	65A	6 @ 230 Vac	5 YRS

(X) Correlated Colour Temperature options include: 4000°K (4) | 5000°K (5) | 6000°K (6)

(YY) Ra (CRI) Options include Ra85 , Ra95. Example: 5,000k Ra85, XYX = 585

(ZZ) Driver Function: ND Non dimming (Vo to reduce output) DM 1-10V Dimming |ZB 1-10V Dimming (Excludes sensor)|DA DALI

Ambrite™ can be specified by replacing the (XYX) options with: AMB

*Additional Hanging Suspension Kit is available



Contact: Erwin Eeckhaut

T: + 32 53 710 942 | M: + 32 475 733 528

E: info@nextgenerationled.be

Regional Authorised Global Partners can be found in the following locations

Sydney – Australia | Fresno – USA | Hong Kong – China | Jaingxi– China